

S3000 MODENA



 **CLIPSAL**[®]
LIVING ELECTRICAL

S3000 MODENA

S3000 Modena Features and Benefits

1. Wide Range Available:

The S3000 Modena range includes an array of switch module options, allowing for a variety of product configurations. Five rocker switch sizes are available with carrier plates. Sockets include TV, data, telephone, RCA sockets and more. The S3000 Modena range is also compatible with Clipsal's S2000 30-Series mechanisms.



2. Clear Frames:

The clear polycarbonate frames of the S3000 Modena range simplify the lining up of fixing screws with wall box threads. The S3000 Modena Frames are available in 100mm x 50mm Standard, Double Standard Horizontal and 100mm x 100mm Double Vertical configurations. The 'teeth' ensure modules fit properly.



3. Flexibility:

The unique nature of the S3000 Modena allows combinations of switches, socket outlets, audio and TV in the same grid plate, providing you and your customers with greater options. This feature also makes installation much easier.



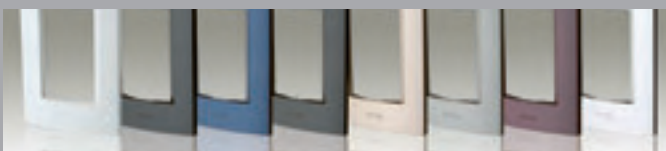
4. 'Powerhead' Screws:

With guaranteed better torque, the innovation of the S3000 Modena continues all the way to the screws! Manufactured with the latest 'square-drive' technology, the screws give tighter terminations, no loose connections and no damaged screw heads.



5. Interchangeable Coloured Surrounds:

All the S3000 Modena products are available in White (WE) and Black (BK). 8 stunning colour surrounds are available in blue, champagne, charcoal, chrome, gunmetal grey, platinum, red and of course black and white. These interchangeable surrounds provide a limitless choice of colour combinations to suit any interior.



6. Security Screw Option:

No ordinary screwdriver will be able to remove these screws! A cleverly designed security screw is available to ensure that once your product is mounted to the wall, it will remain there until you want it removed.



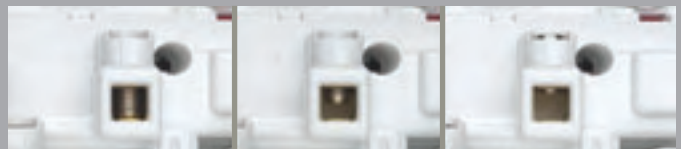
7. Neon / LED Indicator:

All S3000 Modena products are designed to accommodate a Neon or LED lamp, inserted into the back of the product. The innovative design of the S3000 Modena switches includes a retainer with a light-diverting shield which is used to intensify the light and direct it to the front lens, minimising light loss through the sides of the switch.



8. Captivated Terminal Screws:

The square-drive terminal screws in all S3000 Modena products incorporate stops that prevent accidental disengagement, loss, frustration and unwarranted downtime.



9. Unique Front-Loading Process:

The S3000 Modena products can be safely installed after patching and painting! Install the wall box and clear frame before the 'dirty' work is done. When complete, simply pull the wires through the frame, terminate to the selected products, and click the products into the frame. The specially designed 'teeth' on both the frame and the modules ensure a

strong, durable fit. At the last moment, click the surrounds into place. Not only does this Front Loading process minimise damage or theft during patching and painting, it also means low maintenance costs – switch modules or sockets can be individually removed and replaced quickly and efficiently.



Contents & Code Guide

S3000 Fully Assembled Product

Switches	6
Blanks	6
Sockets	6
Combination Products	6



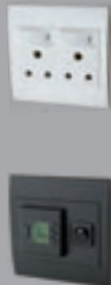
S2000 Mechanisms

30 Series Accessories	10
Dimmer Press Mechanisms	11
2 Amp Mech Dimmers (Leading Edge)	11
2 Amp Mech Dimmers (Trailing Edge)	11
Ceiling Sweep Fan Control	11
Tel/Data Accessories	11



S3000 Monoblock Range

Socket Range	7
Dedicated Socket Range	7
Stove Isolator	7
Thermostat Range	7
TV Range	7



S3000 Frames and Wall Box's

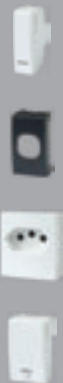


S3000 Surrounds



S3000 Modules

Switch Modules	8
Blank Modules	8
Adaptor Modules	8
Socket Modules	8
Dedicated Socket Modules	8
Audio - Visual Modules	8
Press Switch Modules	9
Dedicated "Labelled" Switch Modules	9



S3000 Accessories

PIR Sensor Module	15
Indication LED's	15
Module Ejector	15
Mounting Tools	15
Security Mounting Screws (Powerhead)	15



Switches

ST	30	4	1	/	2	/	3A	WE
								Colour "White Electric"
							Number of Terminals on Switch	
					'1' means One Way; '2' means Two Way			
			Number of Levers					
		Will accept any 3000 Series Switch Module						
Means 3000 Series								
Size 'S' equals 100 x 50mm; 'ST' equals 100 x 100mm								

Switched Socket Outlets

S	30	1	5	WE
				Colour "White Electric"
			Means 16 Amp S.A. Standard	
				Means Single Switched Socket
Means 3000 Series				
Size 'S' equals 100 x 50mm; 'ST' equals 100 x 100mm				



S3000 Modena

Fully Assembled Product



"It's the details that matter
when it comes to surrounding
yourself with style"



S3000 Modena

Combinations



S3000 - the finishing touch
for sophisticated interiors

S3000 MODENA

S3000 Modena Fully Assembled Product



S3041/2/3AVWE



S3041/2/3AWE



S3042/2/3AVWE



S3042/2/3AWE



S3043/2/3AVWE



S3043/2/3AWE



S3015WE



S3030XVWE



S3042TELDBK



S3727VBK

Fully Assembled Switches

100mm x 50mm

- 1 Lever, 2 way Switch - Horizontal mount (1 x 3 wide module)
- 2 Lever, 2 way Switch - Horizontal mount (2 x 1.5 wide module)
- 3 Lever, 2 way Switch - Horizontal mount (3 x 1 wide module)

S3041/2/3AWE
S3042/2/3AWE
S3043/2/3AWE

- 1 Lever, 2 way Switch - Vertical mount (1 x 3 wide module)
- 2 Lever, 2 way Switch - Vertical mount (2 x 1.5 wide module)
- 3 Lever, 2 way Switch - Vertical mount (3 x 1 wide module)

S3041/2/3AVWE
S3042/2/3AVWE
S3043/2/3AVWE

*These 2 way switches can be installed as 1 way switches.

Fully Assembled Blanks

100mm x 50mm

Blank - Horizontal mount

S3030XWE

Blank - Vertical mount

S3030XVWE

100mm x 100mm

Blank

ST3030XWE

Fully Assembled Sockets

100mm x 50mm

16 Amp Switched Socket Outlet - Horizontal mount

S3015WE

16 Amp Red Dedicated Switched Socket Outlet
(Red Switch and socket combination with white surround)

S3015TRD

Fully Assembled Combination Products

complete with horizontal surround

100mm x 50mm

Tel. / Data Outlet Combination

S3042TELDBKWE

20 Amp Isolator and Cord Grip Combination - **White (WE) Only**

S3042MD20CGWE

AVAILABLE
SOON

Fully Assembled Shaver Socket

100mm x 50mm

Shaver Socket

S3727VWE

This Range available in White Electric (WE) and Black (BK)
Illumination colour options: White, Blue & Orange



S3000 Modena Monoblock Range

Monoblock 16 Amp Socket Range

100mm x 100mm

Monoblock 16A Single Standard Switched Socket Outlet
 Monoblock 16A Double Standard Switched Socket Outlet

ST3015WE
 ST3025WE

Monoblock 16 Amp Dedicated Range

100mm x 100mm

Monoblock 16A Red Dedicated Single Switched Socket Outlet, White with Red switch
 Monoblock 16A Blue Dedicated Single Switched Socket Outlet, White with Blue switch
 Monoblock 16A Black Dedicated Single Switched Socket Outlet, White with Black switch

ST3015TRD
 ST3015RDB
 ST3015LBK

Monoblock 16A Red Dedicated Double Switched Socket Outlet, White with Red switches
 Monoblock 16A Blue Dedicated Double Switched Socket Outlet, White with Blue switches
 Monoblock 16A Black Dedicated Double Switched Socket Outlet, White with Black switches

ST3025TRD
 ST3025RDB
 ST3025LBK

Monoblock Stove Isolator

100mm x 100mm

60 Amp Double Pole Stove Isolator

ST3031D60WE

Thermostat Range

100mm x 100mm

3600 Watt Non-Programmable Electronic Thermostat with built-in Air Sensor and a 20 Amp Double Pole Isolator
 3600 Watt Non-Programmable Electronic Thermostat with built-in Capillary Sensor and a 20 Amp Double Pole Isolator

ST3020I
 ST3020ICAP

3600 Watt Programmable Thermostat with built-in Air Sensor and a 20 Amp Double Pole Isolator
 3600 Watt Programmable Thermostat with built-in Capillary Sensor and a 20 Amp Double Pole Isolator

ST3020EI
 ST3020EICAP

TV & FM Sockets

100mm x 100mm

TV & FM Outlet (1dB Tap) Terminated
 TV & FM Outlet (7dB Tap) Loop through (Through loss 2dB)
 TV & FM Outlet (13dB Tap) Loop through (Through loss 1dB)
 TV & FM Outlet (20dB Tap) Loop through (Through loss 0.4dB)
 TV & FM Outlet (24dB Tap) Loop through (Through loss 0.3dB)

ST3031/1WE
 ST3031/7WE
 ST3031/13WE
 ST3031/20WE
 ST3031/24WE

TV, FM & Satellite Sockets

100mm x 100mm

TV & FM Outlet (1dB Tap) Terminated plus Satellite through connector
 TV & FM Outlet (7dB Tap) Loop through (Through loss 2dB) plus Satellite through connector
 TV & FM Outlet (13dB Tap) Loop through (Through loss 1dB) plus Satellite through connector
 TV & FM Outlet (20dB Tap) Loop through (Through loss 0.4dB) plus Satellite through connector
 TV & FM Outlet (24dB Tap) Loop through (Through loss 0.3dB) plus Satellite through connector

ST3031S/1WE
 ST3031S/7WE
 ST3031S/13WE
 ST3031S/20WE
 ST3031S/24WE

TV, FM & Satellite Sockets (with second TV Loop)

100mm x 100mm

TV & FM Outlet (1dB Tap) Terminated plus Satellite and next TV through connector
 TV & FM Outlet (7dB Tap) Loop through (Through loss 2dB) plus Satellite and next TV through connector
 TV & FM Outlet (13dB Tap) Loop through (Through loss 1dB) plus Satellite and next TV through connector
 TV & FM Outlet (20dB Tap) Loop through (Through loss 0.4dB) plus Satellite and next TV through connector
 TV & FM Outlet (24dB Tap) Loop through (Through loss 0.3dB) plus Satellite and next TV through connector

ST3031SL/1WE
 ST3031SL/7WE
 ST3031SL/13WE
 ST3031SL/20WE
 ST3031SL/24WE



This Range available in White Electric (WE) and Black (BK)
 Illumination colour options: White, Blue & Orange



S3000 MODENA

S3000 Modena Modules

All S2000 accessories are available to be used in this range with the 40MA30M (30 Mech adaptor module), available in white (WE) and black (BK)



Switch Modules

Half Standard Single Pole, 1 Way Switch Module (half module wide)	40/1/2A0.5MWE
Standard Single Pole, 2 way switch module (1 module wide)	40/2/3A1.0MWE
Standard Single Pole, 2 way switch module (1 module wide) - Red	40/2/3A1.0MRD
Standard Single Pole, 2 way switch module (1 module wide) - Blue	40/2/3A1.0MDB
Standard Single Pole, 2 way switch module (1 module wide) - Black	40/2/3A1.0MBK
Medium Single Pole, 2 way switch module (1 and half module wide)	40/2/3A1.5MWE
Vertical Single Pole, 2 way switch module (2 module wide)	40/2/3A2.0MWE
Large Single Pole, 2 way switch module (3 module wide)	40/2/3A3.0MWE

*These 2 way switches can be installed as 1 way switches.

Blank Modules

Half Blank Module (0.5 Module wide)	40MB0.5MWE
Standard Blank Module (1 Module wide)	40MB1.0MWE
Large Blank Module (3 Module wide)	40MB3.0MWE

Adaptor Modules

30 Mech. Adaptor Module	40MA30MWE
PDL 600 Series Module Adaptor Module (suitable for 40MPIR)	40MA500/600WE

Socket Modules

16 Amp Standard Auto-socket Module - White LED	3015ASWLEDWE
16 Amp Standard Auto-socket Module - Blue LED	3015ASBLEDWE
16 Amp Standard Auto-socket Module - Orange Neon	3015ASONEONWE
16 Amp Un-switched Standard Socket Module	3015WE
13 Amp British Un-switched Socket Module	3015BS/13WE
13 Amp Schucko Un-switched Socket Module	3015SCHUCKWE
16 Amp Euro Un-switched Socket Module	3015EUWE

Dedicated Socket Modules

16 Amp Red Dedicated Un-switched Socket Module	3015TRD
16 Amp Blue Dedicated Un-switched Socket Module	3015RDB
16 Amp Black Dedicated Un-switched Socket Module	3015LBK

Audio - Visual Modules

Triple RCA module (Red, Green, Blue) - Standard module size	40MRGBWE
Triple RCA module (Red, White, Yellow) - Standard module size	40MRWYWE
Banana Binding Post Module (Red, and Black) - Standard module size	40MBWE

This Range available in White Electric (WE) and Black (BK)
Illumination colour options: White, Blue & Orange





S3000 Modena Labelled Switches

Press Switch Modules

Spring-loaded Switches

"Finger Press" Switch (Standard Single Pole, 2 way switch - 1 Module wide)	40MFPWE
"Bell Press" Switch (Standard Single Pole, 2 way switch - 1 Module wide)	40MBPWE

Dedicated Switch Modules

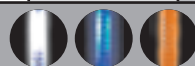
"Light" Switch (Standard Single Pole, 2 way switch - 1 Module wide)	40MLWE
"Heat" Switch (Standard Single Pole, 2 way switch - 1 Module wide)	40MHWE
"Fan" Switch (Standard Single Pole, 2 way switch - 1 Module wide)	40MFEWE
"Dish Washer" Switch (Standard Single Pole, 2 way switch - 1 Module wide)	40MDSWE
"Fridge" Switch (Standard Single Pole, 2 way switch - 1 Module wide)	40MFGWE
"Hood" Switch (Standard Single Pole, 2 way switch - 1 Module wide)	40MHDWE
"Microwave" Switch (Standard Single Pole, 2 way switch - 1 Module wide)	40MMWWE
"Waste" Switch (Standard Single Pole, 2 way switch - 1 Module wide)	40MWSTWE
"Wash" Switch (Standard Single Pole, 2 way switch - 1 Module wide)	40MWSHWE
"Spa" Switch (Standard Single Pole, 2 way switch - 1 Module wide)	40MSPAWE
"Pump" Switch (Standard Single Pole, 2 way switch - 1 Module wide)	40MPMPWE
"Outside Light" Switch (Standard Single Pole, 2 way switch - 1 Module wide)	40MOLWE

Icon Selection Chart

Icon	Description	Cat No.	Icon	Description	Cat No.
	Finger Press	40MFPWE		Extractor Fan	40MHDWE
	Bell Press	40MBPWE		Microwave	40MMWWE
	Light	40MLWE		Waste	40MWSTWE
	Heat	40MHWE		Washing Machine	40MWSHWE
	Fan	40MFEWE		Spa	40MSPAWE
	Dish Washer	40MDSWE		Pump	40MPMPWE
	Fridge	40MFGWE		Outside Light	40MOLWE



This Range available in White Electric (WE) and Black (BK)
Illumination colour options: White, Blue & Orange



S3000 MODENA

S2000 Mechanisms

All S2000 accessories are available to be used in this range with the 40MA30M (30 Mech adaptor module), available in white (WE) and black (BK)



30/1/2MWE



30/2/2MRD



30/2/2MDB



30/2/2MBK



30/2/3MWE



30MD20WE



30NGR



30NRD



30PWE



30TV75ML20WE



38HDWE

30 Series Accessories

16A 1 Way Mech - White
 16A 1 Way Mech - Red
 16A 1 Way Mech - Blue
 16A 1 Way Mech - Black

30/1/2MWE
 30/1/2MRD
 30/1/2MDB
 30/1/2MBK

10A 2 Way Mech
 10A 2 Way Illuminated Mech

30/2/3MWE
 30/2/3NMWE

2 Pole 20A Mech

30MD20WE

10A Intermediate Mech

30MIWE

Green Neon Indicator
 Red Neon Indicator

30NGR
 30NRD

30 Mech Blanking Plug

30PWE

TV Socket 75 OHM (without isolation)
 TV Socket 75 OHM (with isolation)
 TV Socket 75 OHM loop in-out

30TV75MSWE
 30TV75MACFWE
 30TV75ML20WE

Satellite "F" Type Connector 75 OHM

30PFMWE

Cord Grip

38HDWE



All S2000 accessories are available to be used in this range with the 40MA30M (30 Mech adaptor module), available in white (WE) and black (BK)

S2000 Mechanisms

2 Amp Mech Dimmers (Leading Edge)

250V~400VA Dimmer Mechanism,
Blue Incandescent & Wirewound Transformers

32E450LMWE

2 Amp Mech Dimmers (Trailing Edge)

250V~300VA Dimmer Mechanism,
Green Incandescent & Electronic Transformers

32E450TMWE

Dimmer Knob (Black)

32E Black Dimmer Knob
(To be used with 32E450LMWE & 32E450TMWE)

556513,BK

Ceiling Sweep Fan Control complete with gridplate

48" Ceiling Sweep Fan Control

2031VF3CAWE

56" Ceiling Sweep Fan Control

2031VF3CBWE

* These fan control mechs can be used in this range with the 40MA30M (30 Mech adaptor module), available in white (WE) and black (BK)

Guaranteed only when used with Clipsal Sweep Fans

Tel/Data Accessories available in White (WE) or Black (BK)

Telephone Mech (RJ11)

30RJ64SMTWE

CAT5e

Tel/Data Modular Mech Unshuttered CAT5e (RJ11 & RJ45)
Tel/Data Modular Mech Shuttered CAT5e (RJ11 & RJ45)

30RJ88SMA5WE
30RJ88SMA5SHWE

CAT6

Tel/Data Modular Mech Unshuttered CAT6e (RJ11 & RJ45)
Tel/Data Modular Mech Shuttered CAT6e (RJ11 & RJ45)

30RJ88SMA6WE
30RJ88SMA6SHWE



32E450LMWE



32E450TMWE



556513,BK



2031VF3CAWE



30RJ64SMTWE



30RJ88SMA5WE

30RJ88SMA5SHWE

Note: RJ11 denotes telephone mech
RJ45 denotes data mech

S3000 MODENA

S3000 Modena Surrounds



S3000WE

S3000BK



S3000BL

S3000CHL



S3000VCH

S3000VGM



S3000/2RD



S3000/2PT

Standard Horizontal Surround 100mm x 50mm

Surround - Horizontal - White
Surround - Horizontal - Black
Surround - Horizontal - Blue
Surround - Horizontal - Charcoal
Surround - Horizontal - Champagne
Surround - Horizontal - Gun Metal
Surround - Horizontal - Red
Surround - Horizontal - Platinum

S3000WE
S3000BK
S3000BL
S3000CHL
S3000CH
S3000GM
S3000RD
S3000PT

Standard Vertical Surround 100mm x 50mm

Surround - Vertical - White
Surround - Vertical - Black
Surround - Vertical - Blue
Surround - Vertical - Charcoal
Surround - Vertical - Champagne
Surround - Vertical - Gun Metal
Surround - Vertical - Red
Surround - Vertical - Platinum

S3000VWE
S3000VBK
S3000VBL
S3000VCHL
S3000VCH
S3000VGM
S3000VRD
S3000VPT

Shaver Socket Surrounds 100mm x 50mm

Shaver Socket Surround - Vertical - White
Shaver Socket Surround - Vertical - Black
Shaver Socket Surround - Vertical - Blue
Shaver Socket Surround - Vertical - Charcoal
Shaver Socket Surround - Vertical - Champagne
Shaver Socket Surround - Vertical - Gun Metal
Shaver Socket Surround - Vertical - Red
Shaver Socket Surround - Vertical - Platinum

S3727VSSWE
S3727VSSBK
S3727VSSBL
S3727VSSCHL
S3727VSSCH
S3727VSSGM
S3727VSSRD
S3727VSSPT

Double Standard Horizontal Surround (100mm x 50mm) x 2

Double Surround - Horizontal - White
Double Surround - Horizontal - Black
Double Surround - Horizontal - Blue
Double Surround - Horizontal - Charcoal
Double Surround - Horizontal - Champagne
Double Surround - Horizontal - Gun Metal
Double Surround - Horizontal - Red
Double Surround - Horizontal - Platinum

S3000/2WE
S3000/2BK
S3000/2BL
S3000/2CHL
S3000/2CH
S3000/2GM
S3000/2RD
S3000/2PT



White (WE)

Black (BK)

Blue (BL)

Charcoal (CHL)

Champagne (CH)

Gun Metal (GM)

Red (RD)

Platinum (PT)

CLIPSAL

CLIPSAL

Surrounds

Monoblock Surround

100mm x 100mm

Monoblock Surround - White

Monoblock Surround - Black

Monoblock Surround - Blue

Monoblock Surround - Charcoal

Monoblock Surround - Champagne

Monoblock Surround - Gun Metal

Monoblock Surround - Red

Monoblock Surround - Platinum

ST3000WE

ST3000BK

ST3000BL

ST3000CHL

ST3000CH

ST3000GM

ST3000RD

ST3000PT



ST3000WE



ST3000BK



ST3000BL



ST3000CHL



ST3000CH



ST3000VGM



ST3000VRD



ST3000VPT

Vertical Surround

100mm x 100mm

2 x 3 module wide, Vertical mount Surround (centre bridge piece) - White

2 x 3 module wide, Vertical mount Surround (centre bridge piece) - Black

2 x 3 module wide, Vertical mount Surround (centre bridge piece) - Blue

2 x 3 module wide, Vertical mount Surround (centre bridge piece) - Charcoal

2 x 3 module wide, Vertical mount Surround (centre bridge piece) - Champagne

2 x 3 module wide, Vertical mount Surround (centre bridge piece) - Gun Metal

2 x 3 module wide, Vertical mount Surround (centre bridge piece) - Red

2 x 3 module wide, Vertical mount Surround (centre bridge piece) - Platinum

ST3000VWE

ST3000VBK

ST3000VBL

ST3000VCHL

ST3000VCH

ST3000VGM

ST3000VRD

ST3000VPT

AVAILABLE
SOON

Multigang Surround

(100mm x 100mm) x 3

3 Gang Horizontal Surround - White

3 Gang Horizontal Surround - Black

3 Gang Horizontal Surround - Blue

3 Gang Horizontal Surround - Charcoal

3 Gang Horizontal Surround - Champagne

3 Gang Horizontal Surround - Gun Metal

3 Gang Horizontal Surround - Red

3 Gang Horizontal Surround - Platinum

ST3000/3WE

ST3000/3BK

ST3000/3BL

ST3000/3CHL

ST3000/3CH

ST3000/3GM

ST3000/3RD

ST3000/3PT



ST3000/3RD



ST3000/3WE

S3000 MODENA

S3000 Modena Frames and Wall Boxes



S3000F

Standard Clear Frame 100mm x 50mm

Standard frame

S3000F



S3000/2F

Double Horizontal Clear Frame Double (100mm x 50mm) x 2

Double Standard Horizontal frame

S3000/2F



ST3000VF

Double Vertical Clear Frame 100mm x 100mm

Vertical frame with centre bridge piece (2 x 3 Module)

ST3000VF



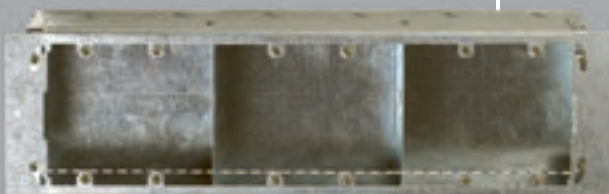
S3156/2

Wall Boxes

Double Horizontal Wall Box 100mm x 50mm

Sub-Divisional Double Standard Horizontal Wall Box

S3156/2



ST2156/3

3 Gang Horizontal Wall Box 100mm x 100mm

3 Gang Sub-Divisional Horizontal Multi-gang Wall Box plus Yoke

ST2156/3

Accessories

PIR Sensor Module

PIR Module - Adjustable light level and time delay. 3 Amp resistance, 100 watt fluorescent - (Standard 1 module wide) Forward Range of 5m, Field of View 100 degrees Horizontal / 82 degrees Vertical

40MPIR

* Clip into 40MA500/600 WE or BK



40MPIR

Indication Lamps

White LED

WLED

Blue LED

BLED

Orange Neon

ONEON



WLED



ONEON

32E Black Dimmer Knob
(To be used with 32E450LMWE & 32E450TMWE)

556513,BK



556513,BK

Module Ejector

Module Ejector Tool - Red

40MET



40MET

Mounting Tools

Powerhead screwdriver 1000 Volt square drive No.1
(100mm, magnetised)

S1X100

Combination drill bit - Phillips No.2 plus square drive No.1
(125mm, magnetised)

PH2S1



S1X100



PH2S1

Powerhead Security Mounting Screws

4mm x 35mm long
4mm x 75mm long

S3435
S3475



S3435

S3000 MODENA

Care and Cleaning

S3000 Modena products are designed for durability and resistance to marking. Over time, however, normal usage can result in the build-up of dust and grime from finger marks etc.

Like most wall plate ranges in South Africa, the polycarbonate material that provides Modena with their strength and toughness can be susceptible to

physical degradation over time if subjected to certain chemical compounds, including those that may be found in some common household cleaners.

S3000 Modena products should only be cleaned with a water dampened cloth in order to maintain their optimum appearance and longevity.

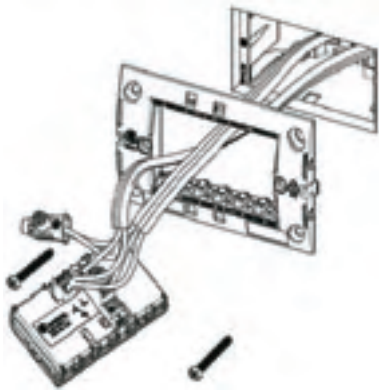
Assembly and Wiring

GENERAL INSTRUCTIONS

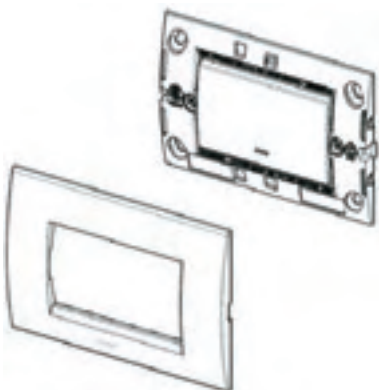
- It is illegal for persons other than those authorised by legislation to work on the fixed wiring of any electrical installation.
- All installations must be in accordance with local Electrical Wiring Regulations and Building Codes of Practice.
- CLEANING – To clean, simply use a cloth dampened with water only. Cleaning agents are not recommended as their use may harm the product and void warranty claims.

Fitting Instructions

1. Modular accessories can be wired before or after clipping into the frame.

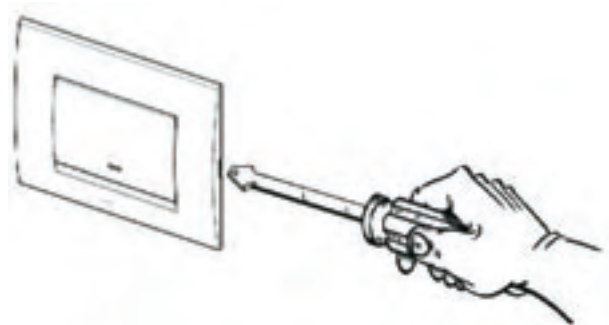


2. Once the module is firmly clipped to the frame the cover can be clipped into place.



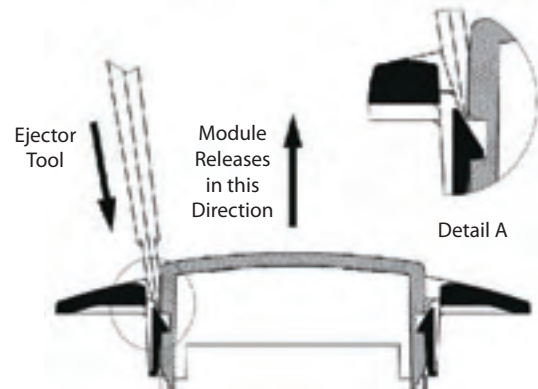
Cover Removal

To remove cover insert a flat blade screwdriver between cover and frame tab and gently lever apart.



Module Removal

To remove modules use ejector tool (40MET) as shown below.

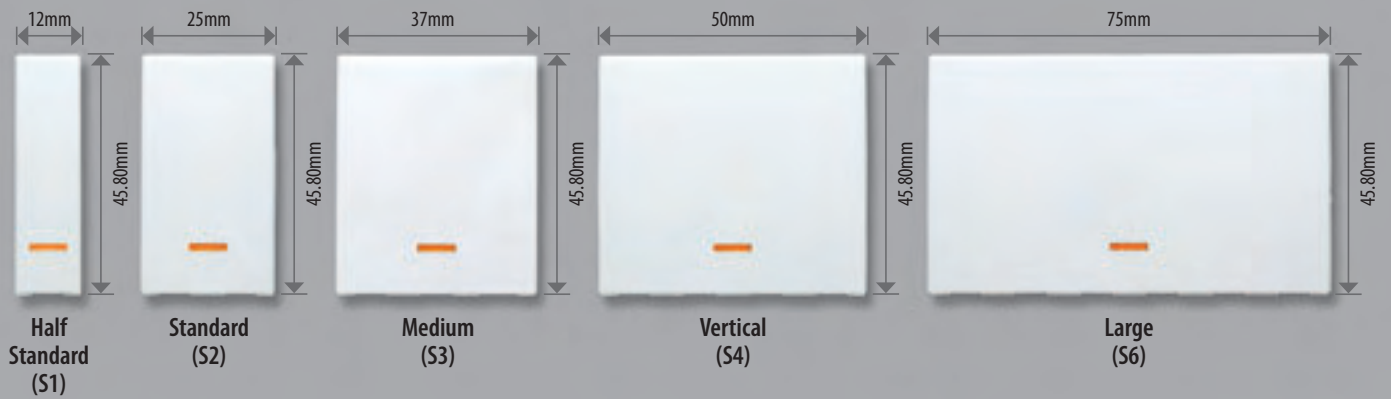


Ejector tool must be pushed in straight down and not wiggled.



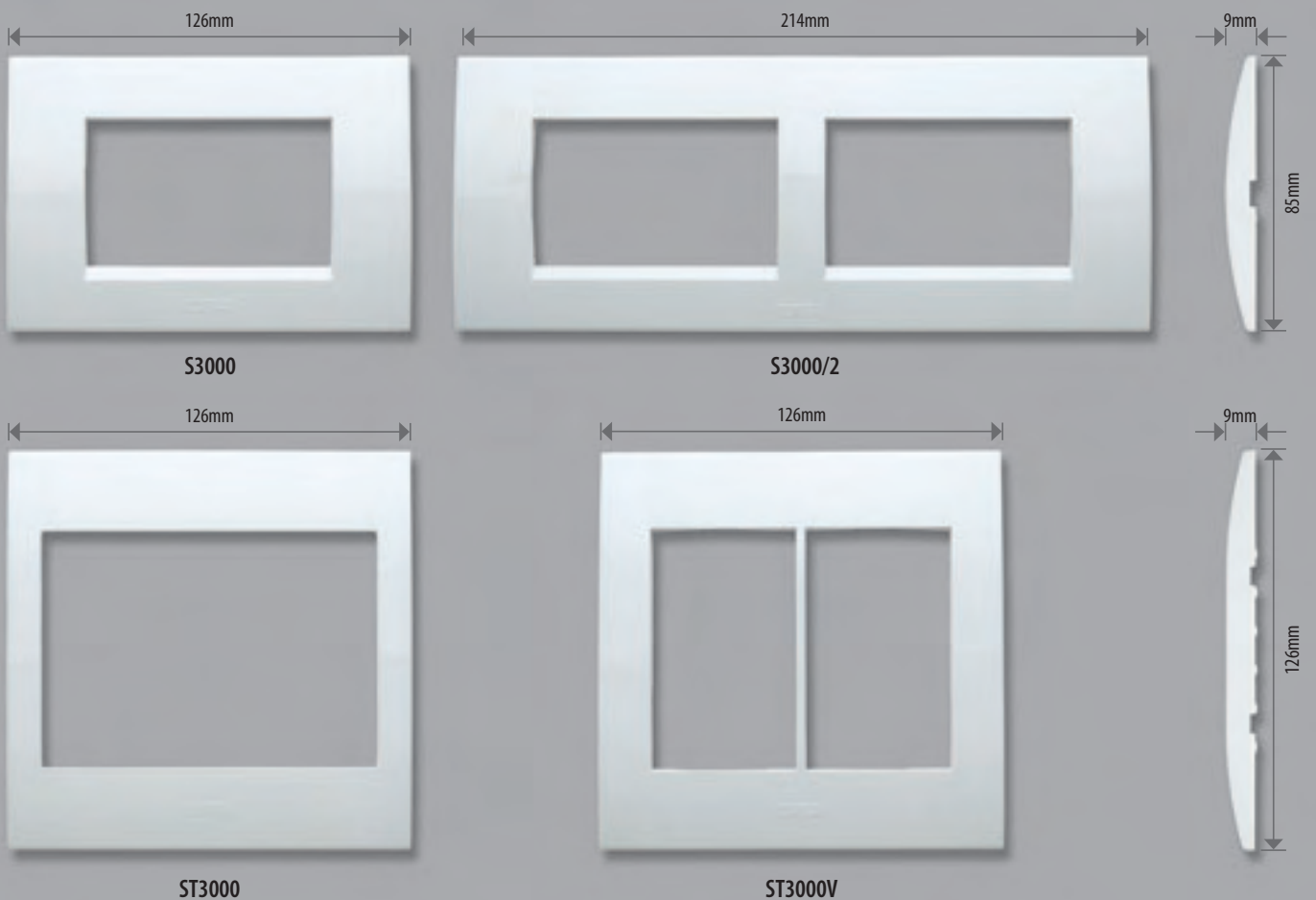
Dimensional Drawings

Module Sizes



Modules available: White (WE) and Black (BK)

Modena Plastic Surrounds



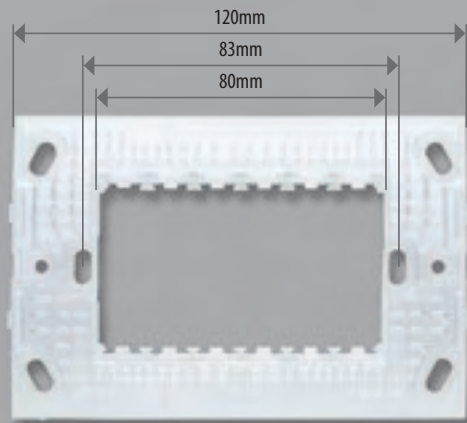
Coloured surrounds available:

White (WE), Black (BK), Blue (BL), Charcoal (CHL), Champagne (CH), Gun Metal (GM), Red (RD) & Platinum (PT)

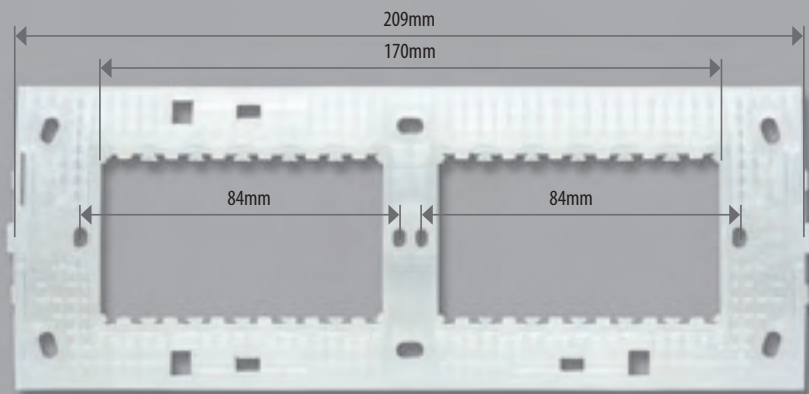
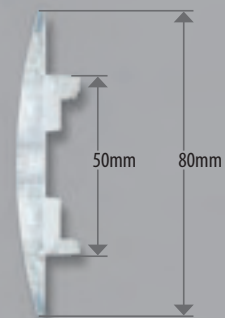
S3000 MODENA

Dimensional Drawings

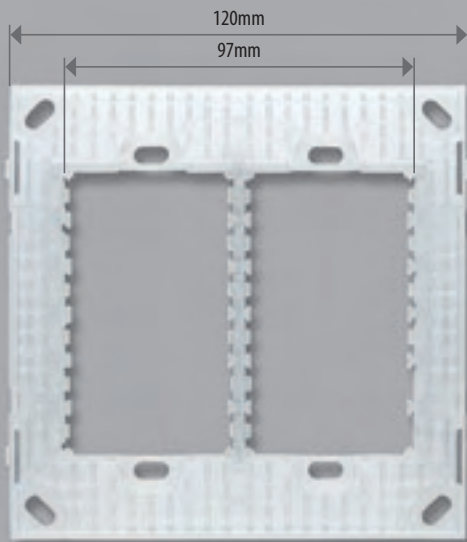
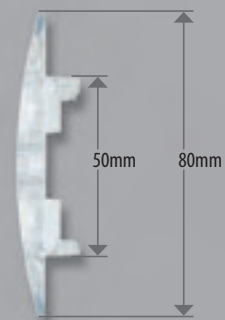
Frames



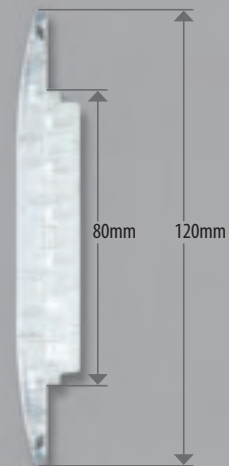
S3000F



S3000/2F



S3000VF



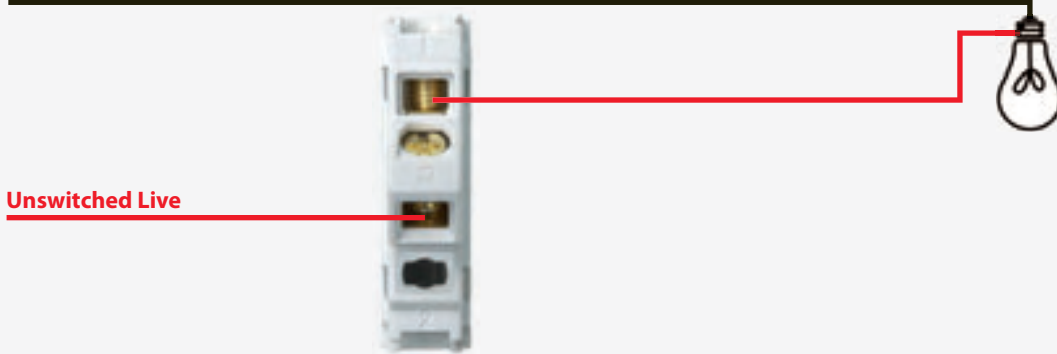


Wiring Diagrams

1 Way Switching (WE) White or (BK) Black Colour

No Neon/LED available

Neutral



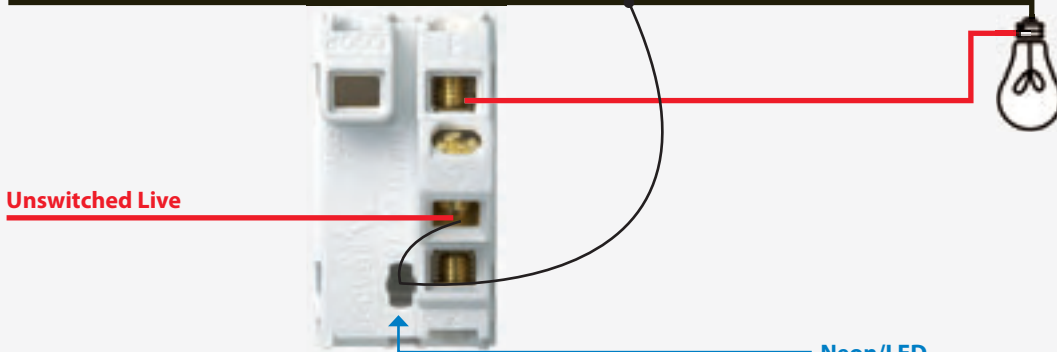
Unswitched Live

40/1/2A0.5M

1 Way Switching (WE) White or (BK) Black Colour

Neon/LED Permanently On

Neutral



Unswitched Live

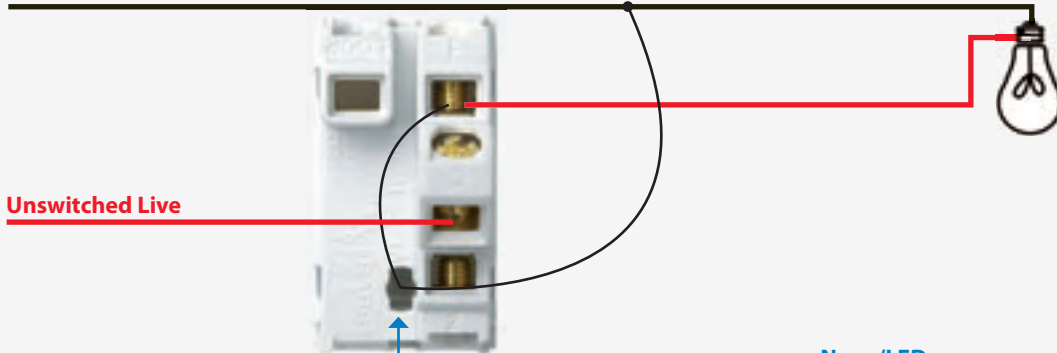
Neon/LED

40/1/2A1.0M; 40/1/2A1.5M; 40/1/2A2.0M; 40/1/2A3.0M; "Icon" Modules

1 Way Switching (WE) White or (BK) Black Colour

Neon/LED On when Load Switched On

Neutral



Unswitched Live

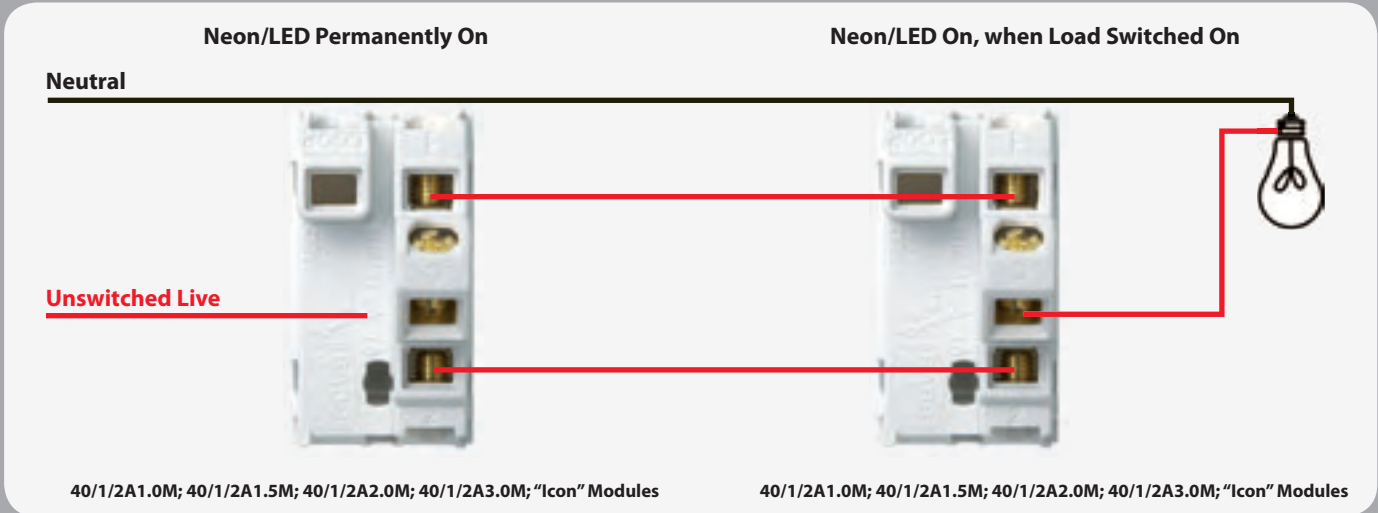
Neon/LED

40/1/2A1.0M; 40/1/2A1.5M; 40/1/2A2.0M; 40/1/2A3.0M; "Icon" Modules

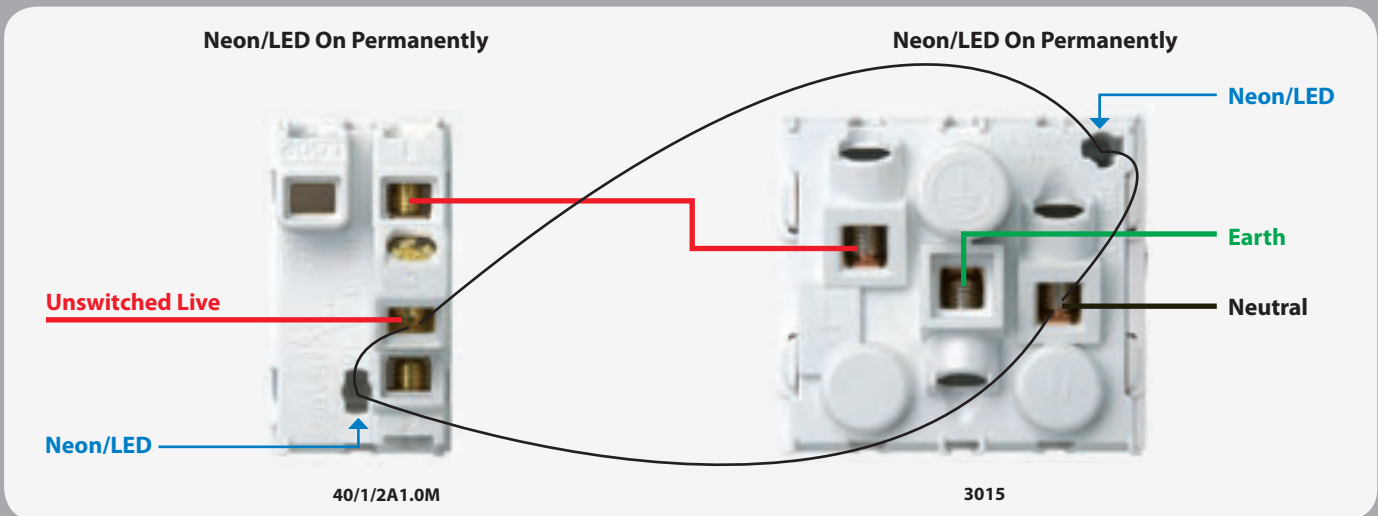
S3000 MODENA

Wiring Diagrams

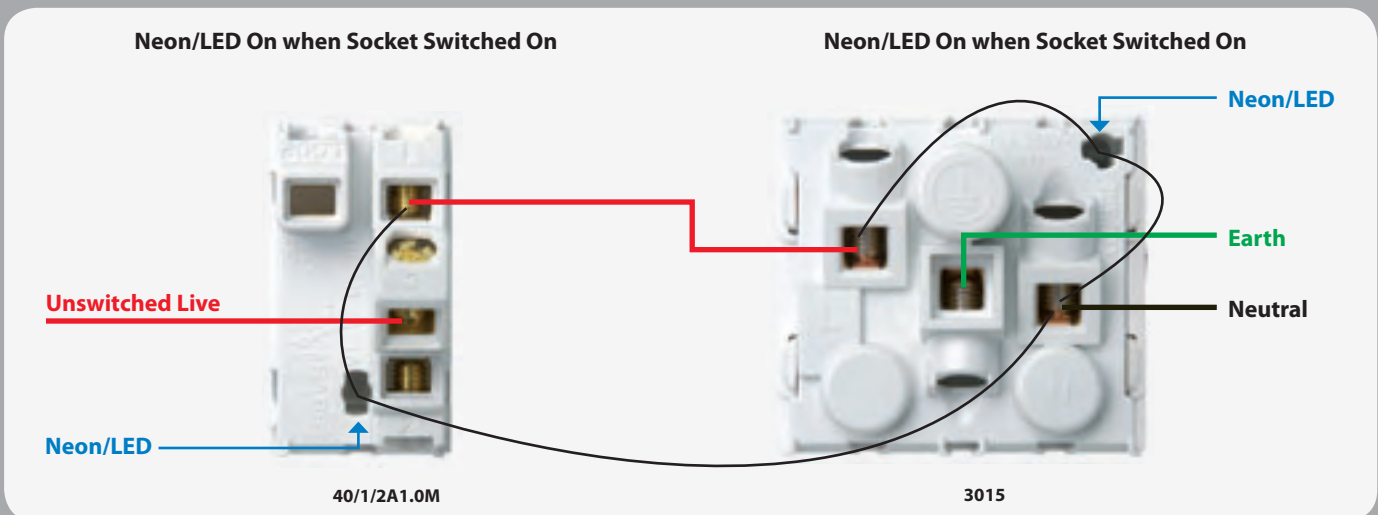
2 Way Switching (WE) White or (BK) Black Colour



Switched Socket (WE) White or (BK) Black Colour



Switched Socket (WE) White or (BK) Black Colour

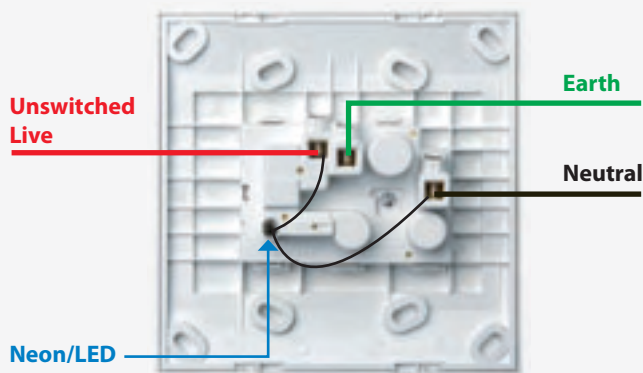




Wiring Diagrams

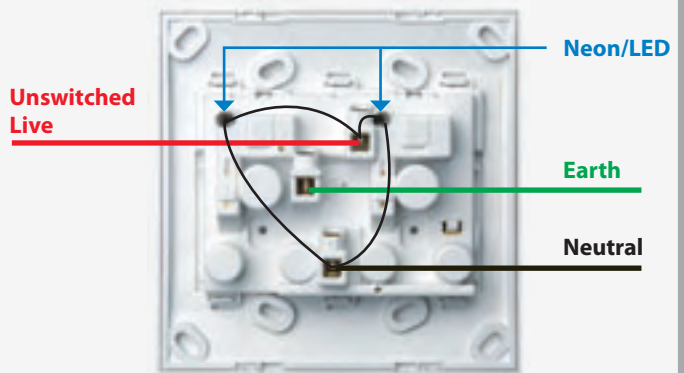
Switched Socket (WE) White or (BK) Black Colour

Neon/LED Permanently On



ST3015

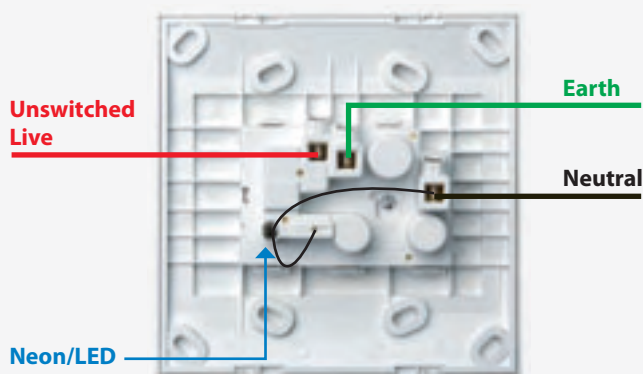
Neon/LED Permanently On



ST3025

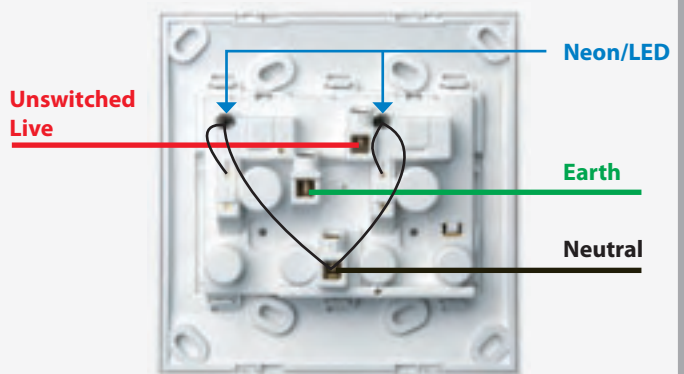
Switched Socket (WE) White or (BK) Black Colour

Neon/LED On when Socket Switched On



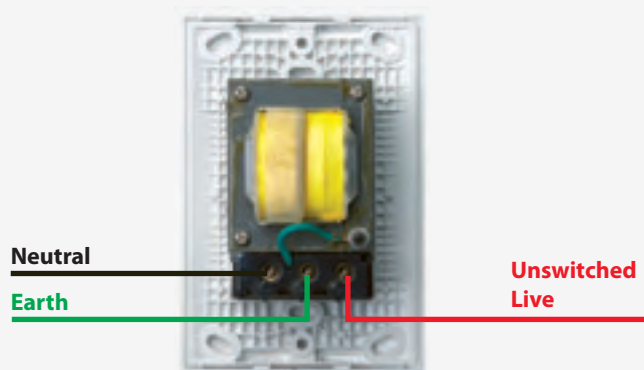
ST3015

Neon/LED On when Socket Switched On



ST3025

Shaver Socket (WE) White or (BK) Black Colour



S3727V

SABS

COMMERCIAL

Certificate of Registration

This is to certify that the Quality Management System of

**CLIPSAL SOUTH AFRICA
(PTY) LTD
(TRADING AS CLIPSAL)
MIDRAND & BRITS**

*has been assessed and found to
satisfy the requirements of*

**ISO 9001:2000
QUALITY MANAGEMENT SYSTEMS**
in respect of

**THE DESIGN, DEVELOPMENT, MANUFACTURE AND ASSEMBLY
AND SUPPLY OF WALL AND APPLIANCE SWITCHES, PLUGS AND
SOCKETS, ELECTRIC LIGHT DIMMERS, AIR BREAK SWITCHES
AND DISCONNECTORS, CORD EXTENSION SETS, APPLIANCE
COUPLERS, ADAPTORS AND THERMAL OVERLOAD SWITCHES,
THE MANUFACTURE OF UNDER-FLOOR ELEMENTS-UF, UNDER-
TILE ELEMENTS-UT AND UNDER-CARPET MATS-UC**

NO PERMISSIBLE EXCLUSIONS

The certificate, including the schedule which forms an integral part thereof;

- *is issued without alteration;*
- *is identified by the applicable registration number;*
- *is subject to any condition or limitation contained therein;*
- *is valid subject to ongoing compliance with certification requirements;*
and
- *bears the embossed SABS COMMERCIAL seal (in the absence of the seal,
the certificate and the schedule shall be invalid).*

Registration Number	LS 0053
Effective Date	25 October 2006
Valid Until	24 October 2009
Date of Original Registration	23 January 1987
Director	<i>Martin Kuscus</i>



SABS COMMERCIAL (Pty) Ltd



S3000 MODENA



Be Inspired...

... by a palette of sophisticated colours in a versatile range of electrical wiring accessories. While choosing the paint colours, curtains and other fittings for your home, colour co-ordinate your switches and sockets with the S3000 Modena Range from Clipsal.

Combine white or black switch and socket modules with 8 different surrounds to complement your home and interior. Just as an artist leaves no part of his painting unfinished, with the S3000 Modena range, you can complete your home's canvas in inspired style.



White (WE)

Black (BK)

Blue (BL)

Charcoal (CHL)

Champagne (CH)

Gun Metal (GM)

Red (RD)

Platinum (PT)





High speed connection to sales
0861-CLIPSAL
Make the connection Call 0861-254-7725

www.clipsal.co.za

Branch Details

Head Office

1 River View Office Park
Janadel Avenue
Halfway Gardens
Midrand

Tel: 011 254 6400
Fax: 011 254 6640
Sales: 0861-CLIPSAL
Fax Sales: 011 254 6712
email: info@clipsal.co.za

Clipsal Warehouse

3 Springbok Road
Bartlett Extension 8
Boksburg

Tel: 011 230 5700
Fax: 011 230 5792

Cape Town

Unit 4, Rainbow Park
Race Course Road
Montague Gardens
Cape Town

Tel: 021 551 0120
Fax: 012 551 0130
email: cptwn@clipsal.co.za

Durban

Unit 3
82 Intersite Avenue
Umgeni Park
Durban

Tel: 031 263 1080/6
Fax: 031 263 1091
email: dbn@clipsal.co.za

Bloemfontein

7 Marula Street
Old Industrial
Bloemfontein

Tel: 051 448 6302
Fax: 051 448 3382
email: bloem@clipsal.co.za

Port Elizabeth

Cowlin Centre
Buxton Avenue
Kensington

Tel: 041 373 5242
Fax: 041 374 3250
email: pe@clipsal.co.za

East London

10a Mashona Terrace
Quigney
East London

Tel: 043 743 6898
Fax: 043 722 6200
email: el@clipsal.co.za

George

5 Rand Street, Unit 2b
George Industria
George

Tel: 044 875 0087
Fax: 044 875 9049
email: george@clipsal.co.za